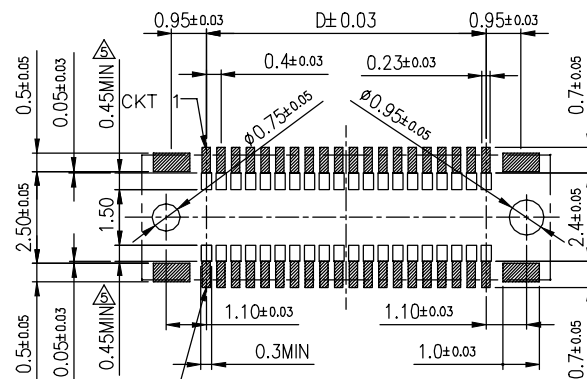


RECOMMENDED PCB LAYOUT
GENERAL TOLERANCE ±0.05
WITHOUT BOSS



RECOMMENDED PCB LAYOUT
GENERAL TOLERANCE ±0.05
WITH BOSS

NOTES:

- MATERIAL:
 - HOUSING: THERMOPLASTIC, HIGH TEMP., UL94V-0; COLOR IS BLACK.
 - CONTACT: COPPER ALLOY
- FINISH:
 - CONTACT: 50u"~100u" NICKEL UNDERPLATING OVERALL. 1. GOLD FLASH
 - FITTING NAIL: 50u"~100u" NICKEL UNDERPLATING OVERALL. 100u"~200u" MATT TIN OVER ALL
- IR REFLOW CAPABLE TO 260°C PER ACES SPEC.
- SPEC. PLS. REFER TO PS-50007-xxxxx-xxx
- NO PRINT CIRCUIT AREA OTHER THAN THE SAME CIRCUIT.
- PART NUMBER

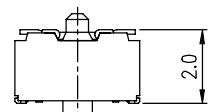
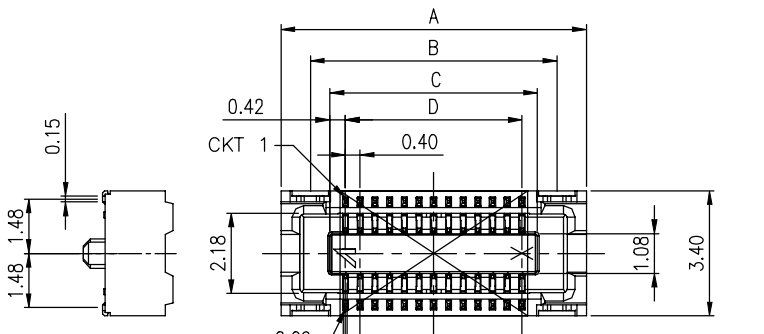
50009-XXX X X-XXX

No Of CKT

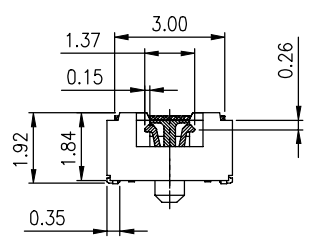
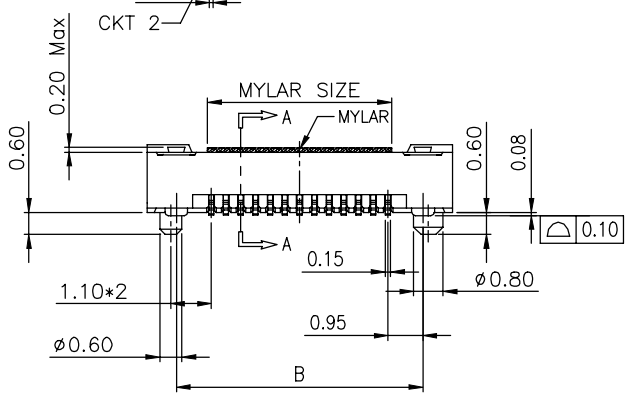
XXX	Color	Halogen Free	Polarization	Packing
001	Black	HF	with boss	88661-xxxxB-TRP
002	Black	HF	without boss	88661-xxxx-TRP
003	Black	HF	with boss	88661-xxxxB-01-TRP

- PACKING
- 0: TAPE & REEL
 - 1: TUBE PACKAGE
 - 4: TAPE & REEL WITH MYLAR
 - 5: TUBE WITH MYLAR

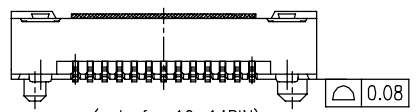
PLATING
1: GOLD FLASH



MATING HIGH



SEC. A-A



(only for 10~14PIN)

CKT	Dim A	Dim B	Dim C	Dim D	Mylar Size
10	5.10	3.50	2.44	1.60	2.5
14	5.90	4.30	3.24	2.40	
16	6.30	4.70	3.64	2.80	
20	7.10	5.50	4.44	3.60	
24	7.90	6.30	5.24	4.40	3.0
26	8.30	6.70	5.64	4.80	
30	9.10	7.50	6.44	5.60	5.0
34	9.90	8.30	7.24	6.40	
40	11.10	9.50	8.44	7.60	
50	13.10	11.50	10.44	9.60	
60	15.10	13.50	12.44	11.60	10.0
70	17.10	15.50	14.44	13.60	
80	19.10	17.50	16.44	15.60	
90	21.10	19.50	18.44	17.60	
100	23.10	21.50	20.44	19.60	15.0
120	27.10	25.50	24.44	23.60	

QUALITY SYMBOLS MAJOR Ⓢ CRITICAL Ⓢ GENERAL TOLERANCES (UNLESS SPECIFIED) X. ±0.5 X ±0.25 .XX ±0.15 .XXX ±0.1 ANGLES ±2°	DRAWN BY Huang,ShunSen DATE 20/11/26	
	CHECKED BY Lu, Jing Quan DATE 20/11/26	
	APPROVED BY hsieh, fu yu DATE 20/11/26	
UNITS mm		SIZE A4
SCALE 1:1	SHEET NO. 1 OF 1	RFG NO. N/A
		REV L
		DWG NO. 50009-XXXXX-XXX